

Operating and safety instructions

vacuum system DT100



Strässle & Co.
Medizintechnik GmbH
Primelweg 5
D-72461 Albstadt
Tel.: +49 (0)7432 - 220186
Fax: +49 (0)7432 - 220189
Email: info@straessle-co.de
www.straessle-co.de



Item#1000.45

Device symbols



Follow instructions for use



This part falls under classification BF



This part falls under classification CF with defibrillation protection



This part falls under classification BF with defibrillation protection

I

ON Power switch: Power on
Remote control: Switch vacuum system to stand-by mode and release vacuum

O

OFF Power switch: Power off
Remote control: Switch off vacuum system



Reduce vacuum level



Increase vacuum level



Vacuum range (low -> high)

This manual is protected by copyright law. Copying, reproduction and translation in any form – including excerpts – is forbidden. The mentioning of other producer's products in this manual serves exclusively as a piece of information and is no violation against the trademark protection law.

© Strässle & Co.

TABLE OF CONTENTS

1 DT100 General description

2 Components

- 2.1 Construction and function of the vacuum electrodes**
- 2.2 Construction and function of the delta distributor**
- 2.3 Construction and function of the support arm**
- 2.4 Construction and function of the vacuum unit**
- 2.5 Construction and function of the control unit**

3 Installation

- 3.1 Installation of the support arm clamping device**
- 3.2 Connecting the vacuum unit**
- 3.3 Connecting the vacuum lines**
- 3.4 Operation**

4 Technical appendix

- 4.1 General information**
- 4.2 Transport and storage**
- 4.3 Operating conditions**
- 4.4 Cleaning and disinfection of the vacuum electrodes**
- 4.5 ECG plug-in cable**
- 4.6 Maintenance intervals**
- 4.7 Charging cycles and accumulator battery operation (accumulator battery versions only)**
- 4.8 Specifications**
- 4.9 Scope of delivery**
- 4.10 Warranty**

5 Safety instructions

- 5.1 Installation site**
- 5.2 Cleaning / disinfection**
- 5.3 Disposal of discarded DT100 suction devices**
- 5.4 Disposal and recycling (only battery version)**
- 5.5 General information**

1. DT100 vacuum system

The DT100 vacuum system is a medical product according to guideline 93/42/EWG. It is designed for operation with common ECG devices and offers improved safe ECG diagnostics combined with increased economical efficiency.

The DT100 vacuum system suits for ECGs in rest as well as under stress test. Owing to the secure fixing of the electrodes it is especially advantageous in ergometry.

The vacuum electrodes are to be used according to standard measurement procedures. They are fixed to the patient's body by means of a defined vacuum.

The DT100 vacuum system is qualified for ECG diagnostics of adults, teenagers and children from the age of about 7 years (depending on body size).

Note

The DT100 vacuum system is dedicated only for using in hospital and in medical practice.

The DT100 vacuum system is not designed for continuous cardiac and circulatory monitoring and emergency medicine.

The DT100 vacuum system is designed for temporary applications.

These operating instructions are considered to be a constituent of the device and are to be kept therewith.

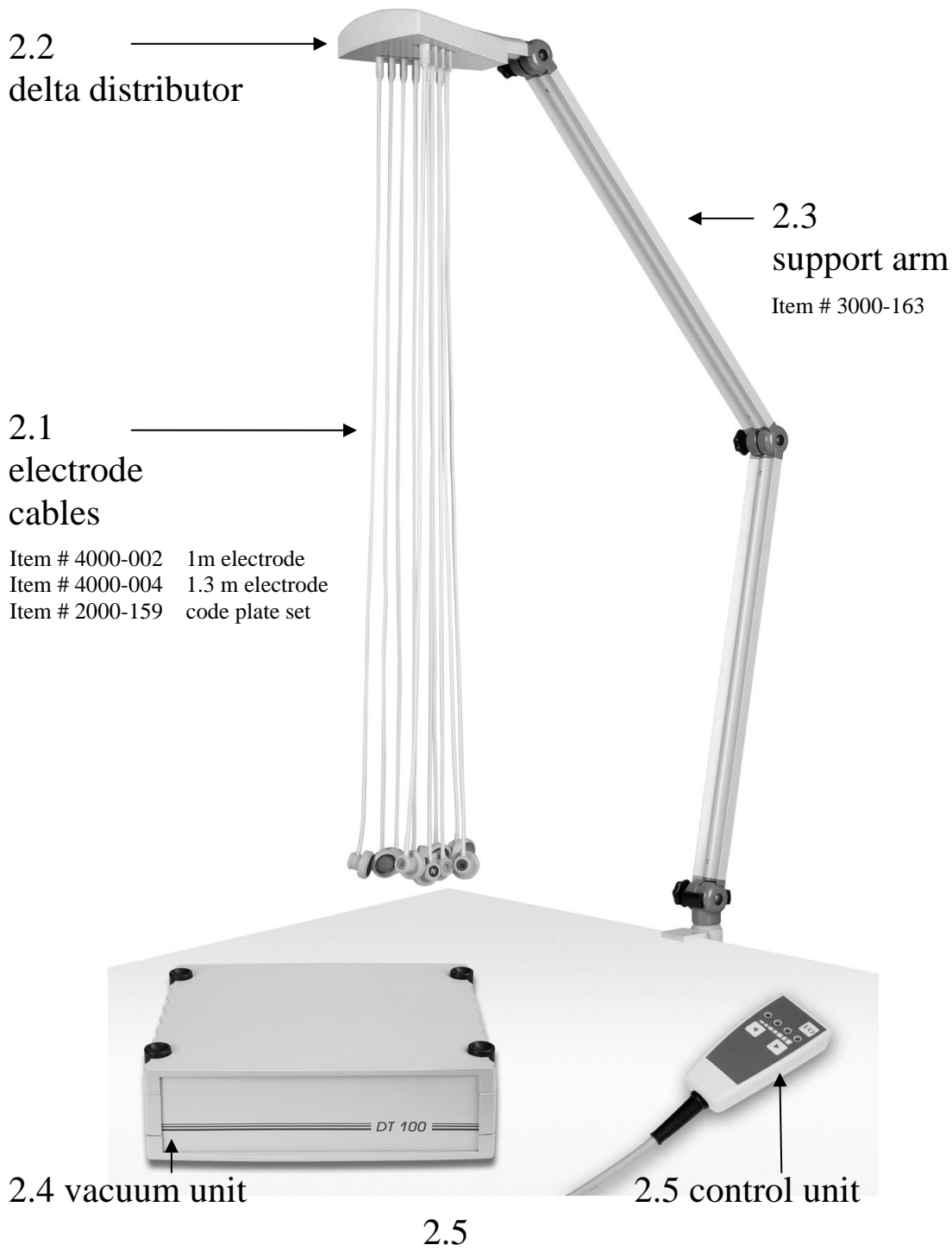
Exact observance of the operating instructions is a prerequisite for the proper operation of the device and thus for the operator's safety.

Compliance with the safety instructions provides protection against injury and prevents improper use of the device.

Each user of this device or each person concerned with installation, maintenance, testing or repair of the device should have completely read and understood these operating instructions before they start working.

Appropriate juridical regulations of the MPG and the MPBetreibV are to be kept.

2. Components



Item # 3000-201
Item # 3000-202 accumulator battery version

Item # 3000-156

2.1 Electrode cables

Ten electrode cables, that are R, L, N, F and C1 to C6, constitute the adaptation unit. A specially designed combined electrode head, self-locking and equipped with a silver/silver-chloride electrode opens and adheres to the patient's body on slight finger pressure.

2.2 Delta distributor

The so-called delta distributor, the topmost part of the support arm, holds the electrodes in such a way, that they cannot be connected improperly. Labels show the assignment of plugs and sockets.

2.3 Support arm

The support arm, a swivelling, spring-suspended positioning device, provides a high degree of comfort. Equipped with a star handle, the support arm can easily and quickly be fixed in any position required.

2.4 Vacuum unit

The vacuum unit of the DT100 controls the required vacuum level. A robust vacuum pump including an adapted pressure vessel provides the selected pressure level. A special microprocessor control unit provides for coordinated control of the overall function. Power socket, on/off switch, vacuum connector and the socket for the control unit are located at the rear of the vacuum unit.

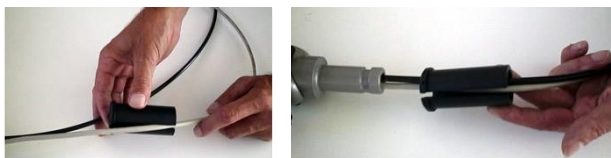
2.5 Control unit

The DT100 comprises a control unit which is connected directly to the vacuum unit. Equipped with an ON/OFF button and two arrow keys as well as four light emitting diodes, the control unit enables functional, informative and easy handling of the device.

3. Installation

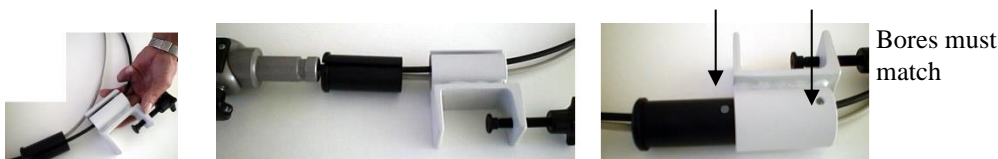
3.1 Installation of the support arm clamping device

3.1.1 Attach plastic sleeve

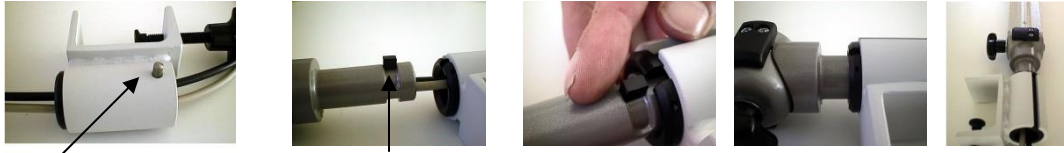


Push cables and vacuum hose through the groove of the plastic sleeve.

3.1.2 Fix clamping device



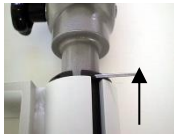
Push cables and vacuum hose through the groove of the clamping device.
Push plastic sleeve into the clamping device.



Insert screw

Insert tongue element

Push pieces together



Apply grooved pin and push

(To disassemble, follow the steps in reverse order)



Pull-out feature stopped



mounted

3.1.3 Fix clamping device in the desired position.

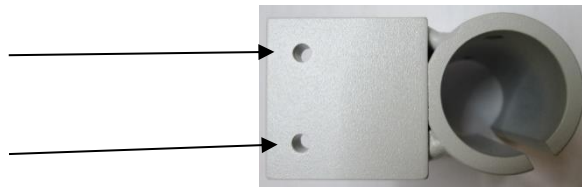
Note

Proceed similarly with other clamping devices.

Safety information

Ensure there is a secure connection when mounting the clamping device for the support arm. The connection must not come loose by itself. Collisions with other devices are to be excluded.

As additional safety, through the two holes at the top the bracket must be screwed with suitable screws at the plate of the table.



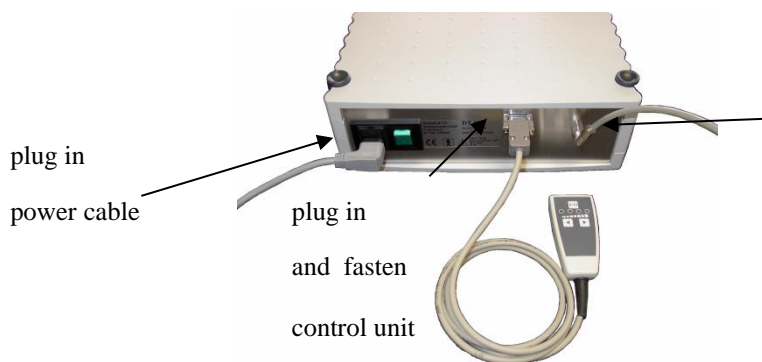
3.1.4 Connecting the patient cables to the ECG device

Only CE marked devices may be connected
(see also operating instructions ECG)



[example]

3.2 Connect the vacuum unit



plug in
power cable

plug in
and fasten
control unit

plug in
vacuum hose

(If you want to remove the vacuum hose, push back the ring of the vacuum hose elbow connector, in order to pull off the hose.)

*The vacuum unit can optionally be provided with a potential equalization connection.

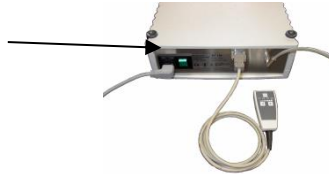


3.3 Plug in the vacuum lines into the delta distributor sockets as indicated by the codes



3.4 Operation

Press power switch to switch on the vacuum unit (green light will turn on)



3.4.1 Operation - Starting

Push the ON/OFF button at the control unit to start operation. All LEDs of the control unit will light. Simultaneously, the blow-out mode will be triggered for approximately 5 seconds. Air will be blown through the electrodes with increased power in order to remove any residual moisture. Starting at the highest pressure level, the LEDs will turn off one after another, until all but the one for the lowest pressure level are off. Alternating flashing of the LED associated with the selected pressure level and simultaneous flashing of the remaining LEDs will signal general readiness of the device.



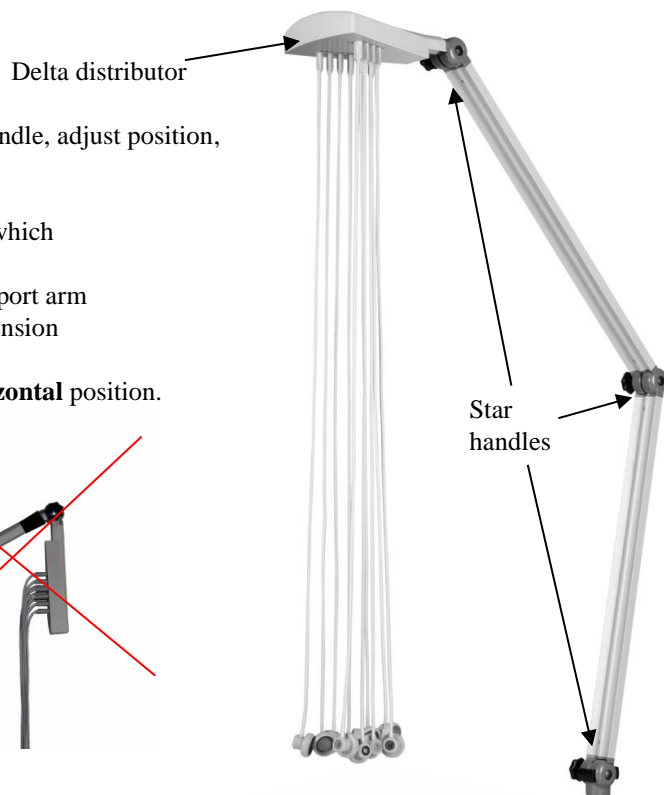
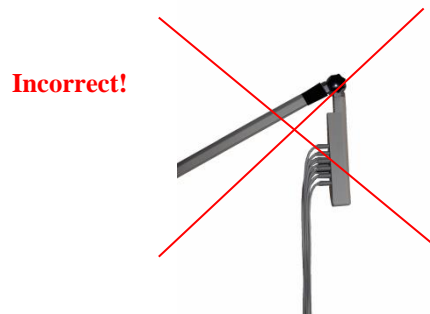
3.4.2 Position support arm as desired

Hold fast the supporting arm, loosen star handle, adjust position, fasten star handle

Note

The support arm should be adjusted to a position in which

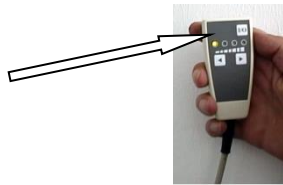
- the patient will not collide with the support arm
- the electrodes can be applied without tension
- the vacuum lines will not be bent
- the delta distributor is always in a **horizontal** position.



3.4.3 Switch on the vacuum

a)

Press the I/O button to release the vacuum



b)

Pressure level 1 LED will turn on

Select vacuum level



The vacuum level can be changed by pressing the arrow keys at any time. The selected vacuum level will be displayed by light emitting diodes.

Pressure allocation (standard programming)

- Level 1 for smooth skin
- Level 2 for slightly hairy skin
- Level 3 for moderately hairy skin
- Level 4 for very hairy skin

Note:

The lower the vacuum level you select, the better it will be tolerated by the skin. (Look at safety instructions)

3.4.4 Apply the vacuum electrodes

First, spray individual spots with electrode spray on skin.

Note

- Use only Signa Spray®.
- Spray only individual spots, in order to prevent short circuits between electrodes.
- The electrodes may only be applied to unwounded intact skin.
- Conductive parts of the electrode leads and connected plug-in devices of the application parts, including the electrode, must not touch other conductive parts, including earth!



The electrodes are applied by touching the code plates. This will switch on the vacuum at the electrode.



In order to ensure artifact-free measurement, take care that there is no tension acting on the electrode lines when applying the electrodes.

3.4.5 Switch off the vacuum



- To switch off the vacuum press the I/O switch. Subsequently the blow-out feature will be started.
- The electrodes will go off automatically.

3.4.6 Stand-by-Function restored (status 3.4.3)

Stand-by operation is maintained for 30 minutes. If the system is not restarted within this period, sleep mode will be activated (status 3.4.1.).

After interruption of the supply network, the system also falls into sleep mode (exception: battery version).

4. Technical appendix

4.1 General information

The device is suitable for continuous operation.

Integrated defibrillation protection protects subsequent devices.

High-frequency fields and emissions may influence the quality of the ECG measurements.

The DT 100 ECG vacuum unit is provided with a CE label according to the guideline given by the Council on Medical Products 93/42 EWG and meets the basic requirements of Annex VII of the named guideline.

The CE label includes only accessories listed in the accessory list.

4.2 Transport and storage

- Ambient temperature range between -40 degrees C and +70 degrees C
- Relative humidity range between 10% and 80%
- Atmospheric pressure range between 500 hPa and 1060 hPa
- Maximum storage period for accumulator versions is 6 months

4.3 Operating conditions

The device is operable in the following ambient conditions:

Ambient temperature between +10 degrees C and +40 degrees C,

relative humidity between 30% and 75%, atmospheric pressure between 700 hPa and 1060 hPa.

4.4 Cleaning and disinfection of vacuum electrodes

The surface of the vacuum electrodes must not be scratched or damaged. The surface cleaning is done by spraying the alcohol disinfectant after each use (and maybe cleaned with a cleaning cloth)

For safe disinfectant to the manufacturer's instructions, especially the required exposure times, are observed. The number of cleaning cycles under operating conditions has no negative impact on durability. Cleaning increases the life and ensures consistently good signal.

quick disinfection and cleaning cloths (100 pcs.)
 250ml quick disinfectant and detergent
 5l quick disinfectant and detergent
 750ml disinfectant foam

Item # 1000-352
 Item # 1000-354
 Item # 1000-351
 Item # 1000-327



1.

External spraying of the hoses and suction cups



2.

Use of wipes from the dispenser



3.

External cleaning of the hoses and suction cups with wipes



4.

Spray of the inside of the electrode



5.

Clean the sealing lip and the electrode surface with wipes

4.4.1 Chemical-thermal disinfection

In the case of suspected contamination, the used vacuum lines should immediately be submitted to chemical-thermal disinfection. With it, the vacuum lines will be submitted to a validated process of exterior and interior cleaning/disinfection (for informations please ask the manufacturer).

4.5 ECG plug-in cable

The plug-in connector of the ECG plug-in cable on the support arm is connected to the standard ECG connector. Other ECG devices are connected via adapters.

4.6 Maintenance

The devices should be checked (STK) according to the latest instructions given by the manufacturer at intervals of 2 years or after repair (or after intervention in the device). The check should be carried out by persons authorized by Strässle & Co. Medizintechnik GmbH. The exchange of fuses on the power supply should be effected only by qualified personnel. Disconnection from the mains is compulsory. **The power cable must be disconnected!** No other fuses than 2 x 0,315AT are allowed.

No service or maintenance should be performed while the unit is being used on a patient.

4.7 Charging cycles / battery operation

Devices with an accumulator battery can be operated approximately up to 6 h without connection to the mains. Then, the devices should be recharged for 24 h by plugging in the power cable and switching on the main switch (the control lamp must be lit). The device will be recharged automatically and can be used during the charging period. During battery operation, the capacity of the accumulator batteries can be determined by pressing the two arrow keys simultaneously.

- 4 LEDs -> 100 %
- 3 LEDs -> 75 %
- 2 LEDs -> 50 %
- 1 LED -> 25 %

*after approx. 23 hours charging time a 90% charge is reached.

Special features (made after 2007)

In case the device is put into operation in accumulator mode with insufficiently charged accumulator batteries, it may switch off for safety reasons. Safety switch-off (protection against excessive discharging) will be signalled acoustically 10 minutes in advance by beeps und will protect the accumulator batteries against damage. The time remaining until safety switch-off will be signalled by increasing beeps, until the eventual switch-off is signalled by permanent beeping. **Attention:** When this happens, the device must be connected to the mains¹⁾ for minimum 5 h. During this time the battery operation is locked. In principle, mains operation²⁾ can be continued as usually during charging. There will be no failure. The safety switch-off (protection against excessive discharging) is only released after a 5 h minimum charging time without starting suction in mains operation¹⁾. Until the accumulator batteries are reloaded sufficiently, only mains operation is possible. Premature starting of battery operation will be displayed by alternately flashing of LEDs 1&2 and 3&4 on the control unit.

In case the charge capacity of 75% is not reached after a 24 h charging time, the accumulator batteries should be checked and/or replaced by qualified personnel. Replacement by insufficient personnel can happen danger to the system (for example immoderate temperature, fire, explosion, or the like)!

¹⁾ power cable is plugged in, main switch is switched on (lighted), but suction is not started with remote control

²⁾ power cable is plugged in, main switch is switched on (lighted), I/O-button on remote control is pressed

4.8 Specifications

Medical product class I (93/42/EWG)

- Supply voltage 230V~ 50Hz
- Rated consumption 50VA
- Vacuum range 60hPa - 260hPa
- Protection class I
- Protection type IP 40
- Degree of protection BF (Supporting arm BF or CF defibrillation protected)
- Dimensions 330x268x120 (w x l x h) vacuum unit only
- Temperature switch* 80°C; 2,5A/250V; TA+/-5K *(optional feature)

4.9 Scope of delivery (depending on model version)

- Power cable (1000-099) - *removable part*
- Vacuum unit (3000-201)
- Control unit (3000-156)
- Holder for control unit (2000-237) - *accessory*
- Support arm (3000-163)
- Electrode set 6x1m / 4xEXT 1,3m (4000-005) - *removable parts*
(alternatively electrodes 10x1m or 10x1,3m) (4000-001 or 4000-003) - *removable parts*
- Electrode spray (1000-158) - *accessory*
- optionally with mounting kit (various mounting kits possible) - *accessories*

4.10 Warranty

Strässle & Co. Medizintechnik GmbH grants warranty according as stated in the terms for sales, delivery, and payment. Wearing parts and disposable material are not included in warranty.

Warranty will lapse in case of

- damage caused by improper operation and undue usage.
- inaccurate assembly, actions taken by unauthorized personnel, or use of accessories, disposable material or replacement parts which are not original parts of Strässle & Co. Medizintechnik GmbH.
- changes, extensions, repairs or actions whatsoever effected by persons not authorised by the manufacturer.
- the electrical installation of the location where the device is connected not complying with the requirements according to VDE 0107.
- using the device disregarding the operating instructions.

Even after warranty has expired, original parts and accessories of the manufacturer should be used. Only thereby safe and proper operation can be ensured, as these products are continually improved and optimized.

5. Safety instructions

- The device should be operated only with a functioning mains supply according to VDE 0100-710, or applicable regulations, respectively. The device is assigned to group 1 (medical equipment-ECG) according to VDE 0100-710.
- In order to avoid electrical shock hazard, the device should be connected only to a mains supply with a protective conductor. It should not be used with a mains supply with protective disconnector.
- For battery versions only -> If it is apparent, that the earth conductor function is not safe, the device should be operated in battery mode.
- Installation is to be performed by qualified personnel authorized by the manufacturer.
- When assembling the vacuum system, please ensure that you comply with the relevant provisions set out in the accident prevention regulations and in Paragraph 9 of the EN60601-1 Standard (Protection from mechanical hazards from ME equipment and systems) when mounting the supports. This applies in particular to the mounting of supports that are not original supports produced by Strässle & Co. Medizintechnik GmbH as well as to the combination of Strässle & Co. Medizintechnik GmbH products with those of other manufacturers.
- If problems arise during installation or operation of the device, contact your dealer.
- The main switch serves an all-conductor disconnector.
- The device should be operated only by instructed technical personnel and must be documented.
- The instructed personnel should check the system optical and functional for each using.
- The device must complete undamaged and functional to be operated in only.
- By mounting error, improperly performed repair, improper modification and the use of third party products (screws, plugs, connectors, etc.) it may due to imperfect fit to shear or abrasion, and ultimately solve coming of fortifications, to ensure defibrillation protection.
- Improper repairs, improper modifications or non-use of original spare parts and original accessories will affect the protection of the medical equipment used when unloading a defibrillator.
- In the presence of visible damage, stiffness, etc. the supporting arm must be checked by trained personnel
- Only original accessories and original replacement parts should be used. The device may only be operated with an original mains cable.
- Replacement parts should be disposed in an environmentally beneficial way.
- Modification of this device is not allowed without prior consent by the manufacturer (Strässle & Co. Medizintechnik GmbH).
- Electrodes may not be brought in contact with oxidising acids or Cyanid solutions.
- The specifications of vacuum level under 3.4.3 are to be kept. Too highly selected vacuum levels can lead to blisters on the skin.
- To protect the skin, especially sensitive patients, who are repeat measurements with the same absolute placement of the electrodes are to be avoided, without adequate recovery period 48h or after medical judgment.
- Operation in conjunction with HF surgical devices is only permissible if the connected ECG device is suitable for this (see the operating instructions for the ECG device).
- When used in conjunction with an EEG device, the connected EEG device must be able to withstand 110V input voltage in the event of defibrillation.
- If several devices are connected to each other, the summation of leakage currents can lead to a potential hazard.
- Serious incidents that have occurred must be reported to the manufacturer
- **WARNING:** Avoid using this unit directly next to other equipment or with other equipment in stacked form, as this could result in incorrect operation. If it is necessary to use this unit in the manner described above, this unit and the other equipment should be observed to ensure that they are working correctly.
- **WARNING:** The use of ACCESSORIES, converters and cables other than those specified or provided by the manufacturer (Strässle & Co. Medizintechnik GmbH) of this device may result in increased electromagnetic interference emissions or reduced electromagnetic immunity of the device and lead to faulty functionality.

5.1 Installation site

- The device may only be operated in medical rooms.
- The device should not be operated in locations where explosions might occur.
- The device should be installed in conditions where it is not exposed to excessive smoke, dust, shock, humidity, temperature changes or direct solar radiation. An adequate distance should be kept from other devices, such as computers, monitors, etc.
- The device should be installed at a place where it can't be climbed or sit upon.
- The device should not be stacked with other devices.
- Precautions should be taken if the place of use is near AM, FM or TV transmitting antennas (e.g. at a distance of less than 1.5 km).

5.2 Cleaning

Before cleaning, press the I/O button to switch off the DT100 vacuum system and disconnect the power cable.

The device should be cleaned with a soft cloth which is moistened only slightly with water. Never use scouring agents, benzene, thinner, or similar solvents.

Before starting operation, wait until the cleaned surfaces are perfectly dry.

For cleaning of the vacuum electrodes see chapter 4.4.

5.3 Disposal of discarded DT100 suction devices

Discarded suction devices should be returned to the manufacturer. Strässle & Co. Medizintechnik GmbH disposes of them in a professional way. For the production of DT100 suction devices, Strässle & Co. Medizintechnik GmbH has provided a number of specifications which require the use of non-polluting materials and enable separation by pure materials. This greatly reduces the amount of waste.

5.4 Disposal and recycling (only battery version)

The device comprises rechargeable accumulator batteries which are required for the operation or specific features of the device. Batteries containing pollutants are marked with the following label:

It indicates that these batteries should not be disposed of as domestic refuse.



According to the battery decree, consumers are legally bound to return all used batteries. Contribute to protecting the environment by not disposing of batteries as domestic refuse.

5.5 General information

In case the device is not used according to the above directions and such use causes injuries or severe effects or damages, the manufacturer holds no responsibility whatsoever. On demand, further technical documentation is available.